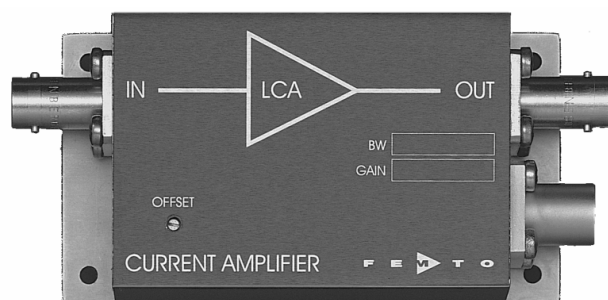


Ultra-Low-Noise Current Amplifier



<p>Features</p>	<ul style="list-style-type: none"> • Bandwidth and Frequency Response Independent of Detector-Capacitance (up to 10 nF) • Extremely Low Noise, 0.5 fA/√Hz Equivalent Input Noise Current • Bandwidth DC ... 30 Hz • Transimpedance (Gain) 2×10^{11} V/A 																																																																						
<p>Applications</p>	<ul style="list-style-type: none"> • Photodiode- and Photomultiplier-Amplifier • Spectroscopy • Charge-Amplifier • Ionisation Detectors • Preamplifier for Lock-Ins, A/D-Converters, etc. 																																																																						
<p>Specifications</p>	<p><i>Test Conditions</i> <i>Vs = ± 15 V, Ta = 25°C</i></p> <table border="0"> <tr> <td style="vertical-align: top;">Gain</td> <td>Transimpedance</td> <td>2×10^{11} V/A (>10 kΩ Load)</td> </tr> <tr> <td></td> <td>Accuracy</td> <td>± 1%</td> </tr> <tr> <td style="vertical-align: top;">Frequency Response</td> <td>Lower Cut-Off Frequency</td> <td>DC</td> </tr> <tr> <td></td> <td>Upper Cut-Off Frequency</td> <td>30 Hz (- 3 dB)</td> </tr> <tr> <td></td> <td>Rise- / Fall-Time</td> <td>12 ms (10% - 90%)</td> </tr> <tr> <td></td> <td>Gain Flatness</td> <td>± 0.1 dB</td> </tr> <tr> <td style="vertical-align: top;">Input</td> <td>Equ. Input Noise Current</td> <td>0.5 fA/√Hz (@ 10 Hz)</td> </tr> <tr> <td></td> <td>Equ. Input Noise Voltage</td> <td>90 nV/√Hz (@ 10 Hz)</td> </tr> <tr> <td></td> <td>Input Bias Current</td> <td>10 fA typ.</td> </tr> <tr> <td></td> <td>Input Bias Current Drift</td> <td>Factor 2 / 10 K</td> </tr> <tr> <td></td> <td>Offset Current Compensation</td> <td>± 15 pA, Adjustable by Offset-Trimpot</td> </tr> <tr> <td></td> <td>Max. Input Current</td> <td>± 50 pA (Linear Amplification)</td> </tr> <tr> <td></td> <td>Input Offset Voltage</td> <td>< 0.5 mV</td> </tr> <tr> <td></td> <td>DC Input Impedance</td> <td>1 kΩ (Virtual) // 5 pF</td> </tr> <tr> <td style="vertical-align: top;">Output</td> <td>Output Voltage</td> <td>± 10 V (>10 kΩ Load)</td> </tr> <tr> <td></td> <td>Output Impedance</td> <td>50 Ω (Terminate with >10 kΩ for best Performance)</td> </tr> <tr> <td></td> <td>Max. Output Current</td> <td>± 10 mA (Linear Amplification)</td> </tr> <tr> <td style="vertical-align: top;">Power Supply</td> <td>Supply Voltage</td> <td>± 15 V</td> </tr> <tr> <td></td> <td>Supply Current</td> <td>± 15 mA typ.</td> </tr> <tr> <td style="vertical-align: top;">Case</td> <td>Weight</td> <td>210 gr. (0.5 lbs)</td> </tr> <tr> <td></td> <td>Material</td> <td>AlMg4.5Mn, nickel-plated</td> </tr> <tr> <td style="vertical-align: top;">Temperature Range</td> <td>Storage Temperature</td> <td>-40 ... +100 °C</td> </tr> <tr> <td></td> <td>Operating Temperature</td> <td>0 ... +60 °C</td> </tr> </table>		Gain	Transimpedance	2×10^{11} V/A (>10 kΩ Load)		Accuracy	± 1%	Frequency Response	Lower Cut-Off Frequency	DC		Upper Cut-Off Frequency	30 Hz (- 3 dB)		Rise- / Fall-Time	12 ms (10% - 90%)		Gain Flatness	± 0.1 dB	Input	Equ. Input Noise Current	0.5 fA/√Hz (@ 10 Hz)		Equ. Input Noise Voltage	90 nV/√Hz (@ 10 Hz)		Input Bias Current	10 fA typ.		Input Bias Current Drift	Factor 2 / 10 K		Offset Current Compensation	± 15 pA, Adjustable by Offset-Trimpot		Max. Input Current	± 50 pA (Linear Amplification)		Input Offset Voltage	< 0.5 mV		DC Input Impedance	1 kΩ (Virtual) // 5 pF	Output	Output Voltage	± 10 V (>10 kΩ Load)		Output Impedance	50 Ω (Terminate with >10 kΩ for best Performance)		Max. Output Current	± 10 mA (Linear Amplification)	Power Supply	Supply Voltage	± 15 V		Supply Current	± 15 mA typ.	Case	Weight	210 gr. (0.5 lbs)		Material	AlMg4.5Mn, nickel-plated	Temperature Range	Storage Temperature	-40 ... +100 °C		Operating Temperature	0 ... +60 °C
Gain	Transimpedance	2×10^{11} V/A (>10 kΩ Load)																																																																					
	Accuracy	± 1%																																																																					
Frequency Response	Lower Cut-Off Frequency	DC																																																																					
	Upper Cut-Off Frequency	30 Hz (- 3 dB)																																																																					
	Rise- / Fall-Time	12 ms (10% - 90%)																																																																					
	Gain Flatness	± 0.1 dB																																																																					
Input	Equ. Input Noise Current	0.5 fA/√Hz (@ 10 Hz)																																																																					
	Equ. Input Noise Voltage	90 nV/√Hz (@ 10 Hz)																																																																					
	Input Bias Current	10 fA typ.																																																																					
	Input Bias Current Drift	Factor 2 / 10 K																																																																					
	Offset Current Compensation	± 15 pA, Adjustable by Offset-Trimpot																																																																					
	Max. Input Current	± 50 pA (Linear Amplification)																																																																					
	Input Offset Voltage	< 0.5 mV																																																																					
	DC Input Impedance	1 kΩ (Virtual) // 5 pF																																																																					
Output	Output Voltage	± 10 V (>10 kΩ Load)																																																																					
	Output Impedance	50 Ω (Terminate with >10 kΩ for best Performance)																																																																					
	Max. Output Current	± 10 mA (Linear Amplification)																																																																					
Power Supply	Supply Voltage	± 15 V																																																																					
	Supply Current	± 15 mA typ.																																																																					
Case	Weight	210 gr. (0.5 lbs)																																																																					
	Material	AlMg4.5Mn, nickel-plated																																																																					
Temperature Range	Storage Temperature	-40 ... +100 °C																																																																					
	Operating Temperature	0 ... +60 °C																																																																					

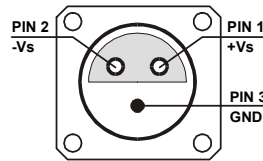
Ultra-Low-Noise Current Amplifier

Absolute Maximum Ratings

Input Voltage	± 10 V
Power Supply Voltage	± 22 V

Connectors

Input	BNC
Output	BNC
Power Supply	LEMO Series 1S, 3-pin Fixed Socket Pin 1: + 15V Pin 2: - 15V Pin 3: GND



Application Diagrams

Photo Detector Biasing in Photovoltaic Mode:
Use for Low Speed Applications and Minimum Dark Current.

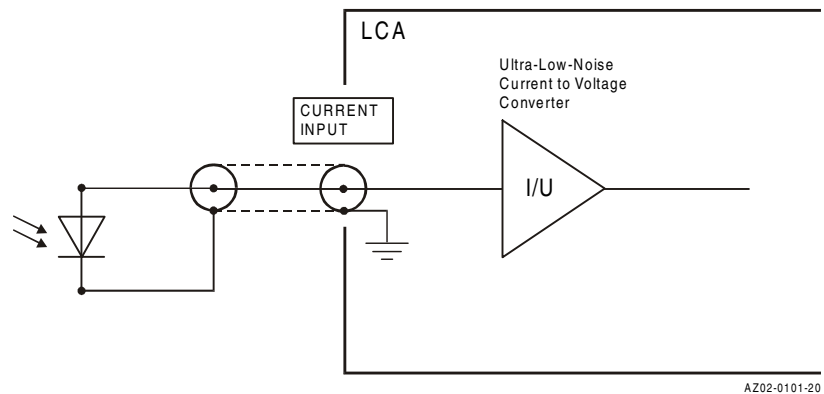
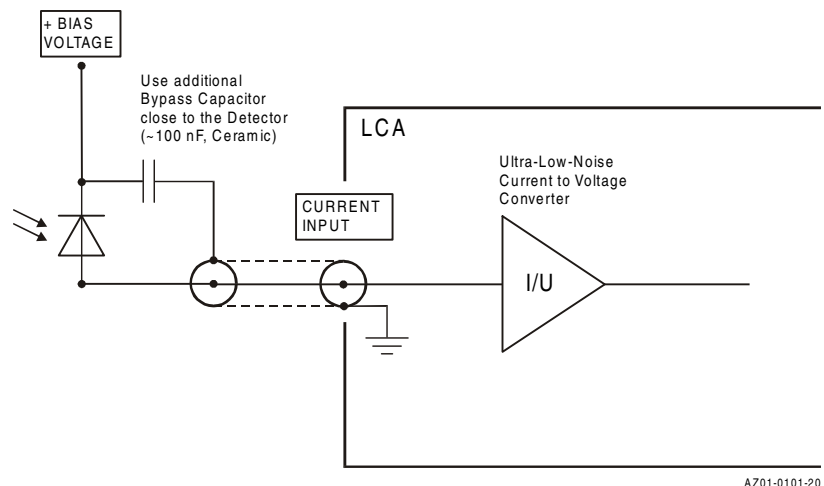
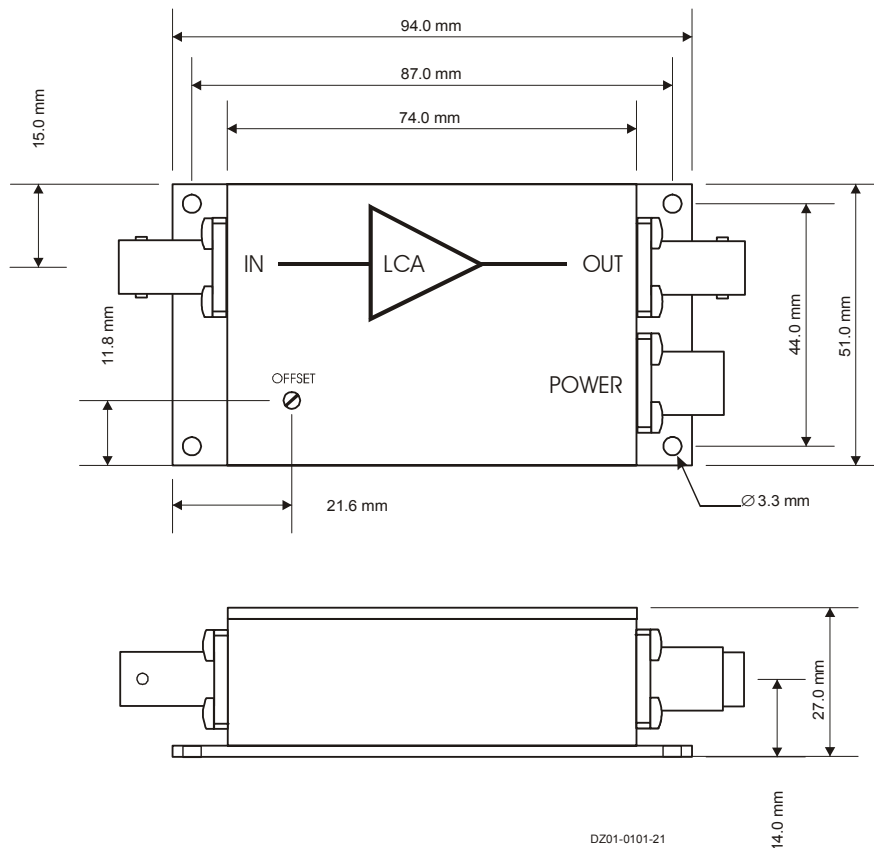


Photo Detector Biasing in Photoconductive Mode:
Use for Fast Applications and if More Dark Current is Tolerable.
Bias Voltage Decreases Detector Capacitance.



Ultra-Low-Noise Current Amplifier

Dimensions



FEMTO Messtechnik GmbH
 Klosterstr. 64
 D-10179 Berlin • Germany
 Tel.: +49-(0)30-280 4711-0
 Fax: +49-(0)30-280 4711-11
 e-mail: info@femto.de
 http://www.femto.de

Specifications are subject to change without notice. Information furnished herein is believed to be accurate and reliable. However, no responsibility is assumed by FEMTO Messtechnik GmbH for its use, nor for any infringement of patents or other rights granted by implication or otherwise under any patent rights of FEMTO Messtechnik GmbH. Product names mentioned may also be trademarks used here for identification purposes only.
 © by FEMTO Messtechnik GmbH
 Printed in Germany